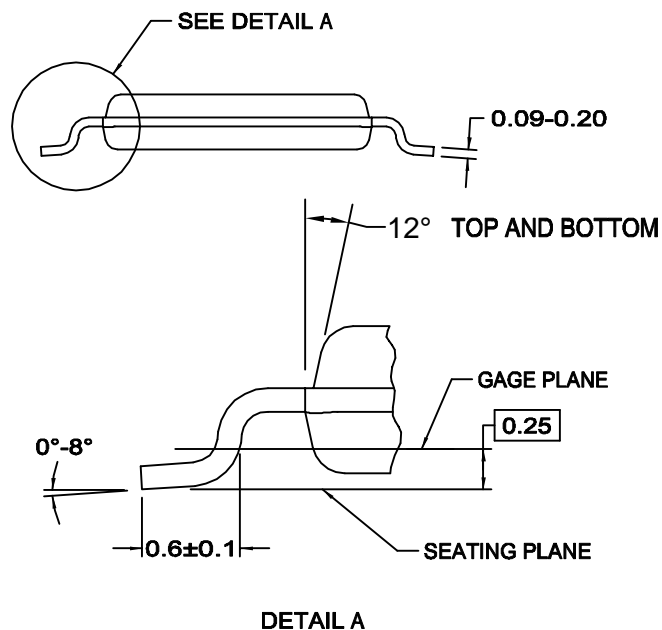
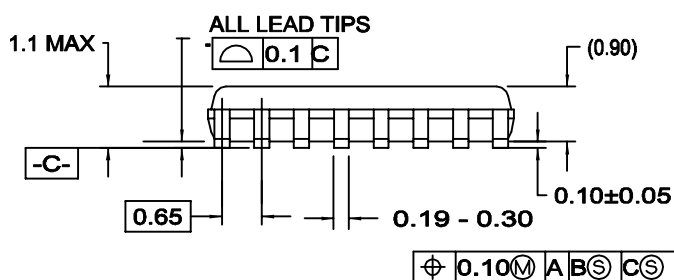
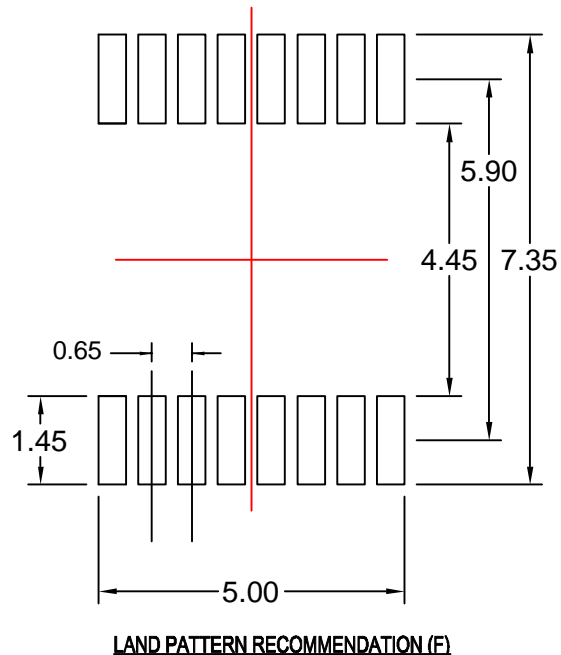
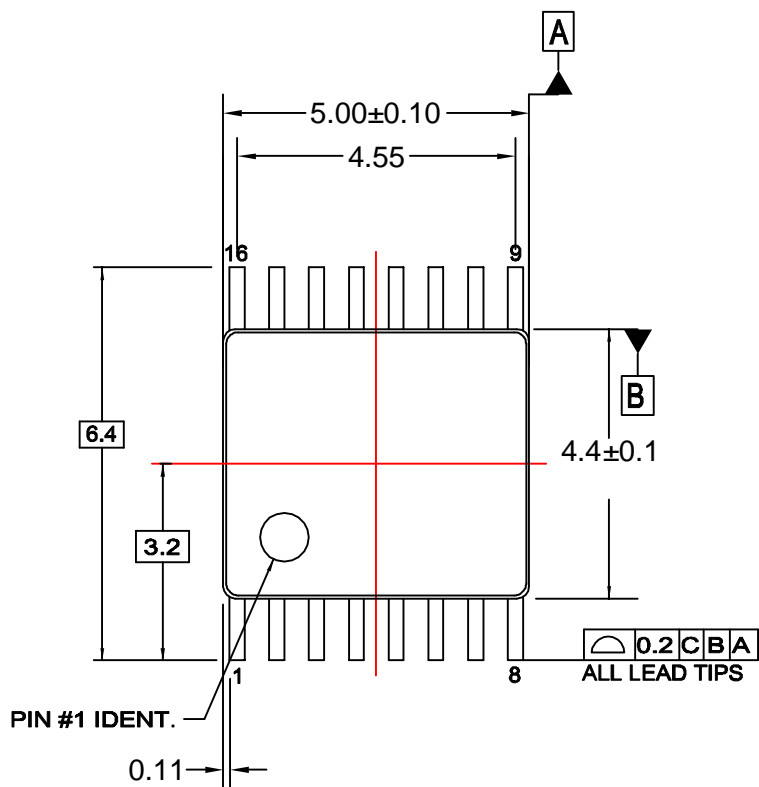


REVISIONS				
LTR	DESCRIPTION	E.C.N.	DATE	BY/APPD
C	NSC version of drawing MTC16			
4	REDRAW AS FSC DRWG	ECN-MTC16REV4	AUG 2006	H.ALLEN



NOTES:

- A. CONFORMS TO JEDEC REGISTRATION MO-153, VARIATION AB,
- B. DIMENSIONS ARE IN MILLIMETERS
- C. DIMENSIONS ARE EXCLUSIVE OF BURRS, MOLD FLASH, AND TIE BAR EXTRUSIONS
- D. DIMENSIONING AND TOLERANCES PER ANSI Y14.5M, 1994
- E. DRAWING FILE NAME: MTC16REV4
- F. LAND PATTERN RECOMMENDATION PER IPC7351 - ID# TSOP65P640X110-16N

MTC16rev4

APPROVALS		DATE	FAIRCHILD		
DRAWN	FEITAN	10-07-04	Bayan Lepas, FIZ, 11900, Penang, Malaysia.		
DFTG. CHK.	H.ALLEN	24-08-06	16LD, TSSOP, JEDEC MO-153, 4.4MM WIDE		
ENGR. CHK.			SCALE	SIZE	DRAWING NUMBER
			N/A	C	MKT-MTC16
			DO NOT SCALE DRAWING	REV	4
			SHEET 1 of 1		